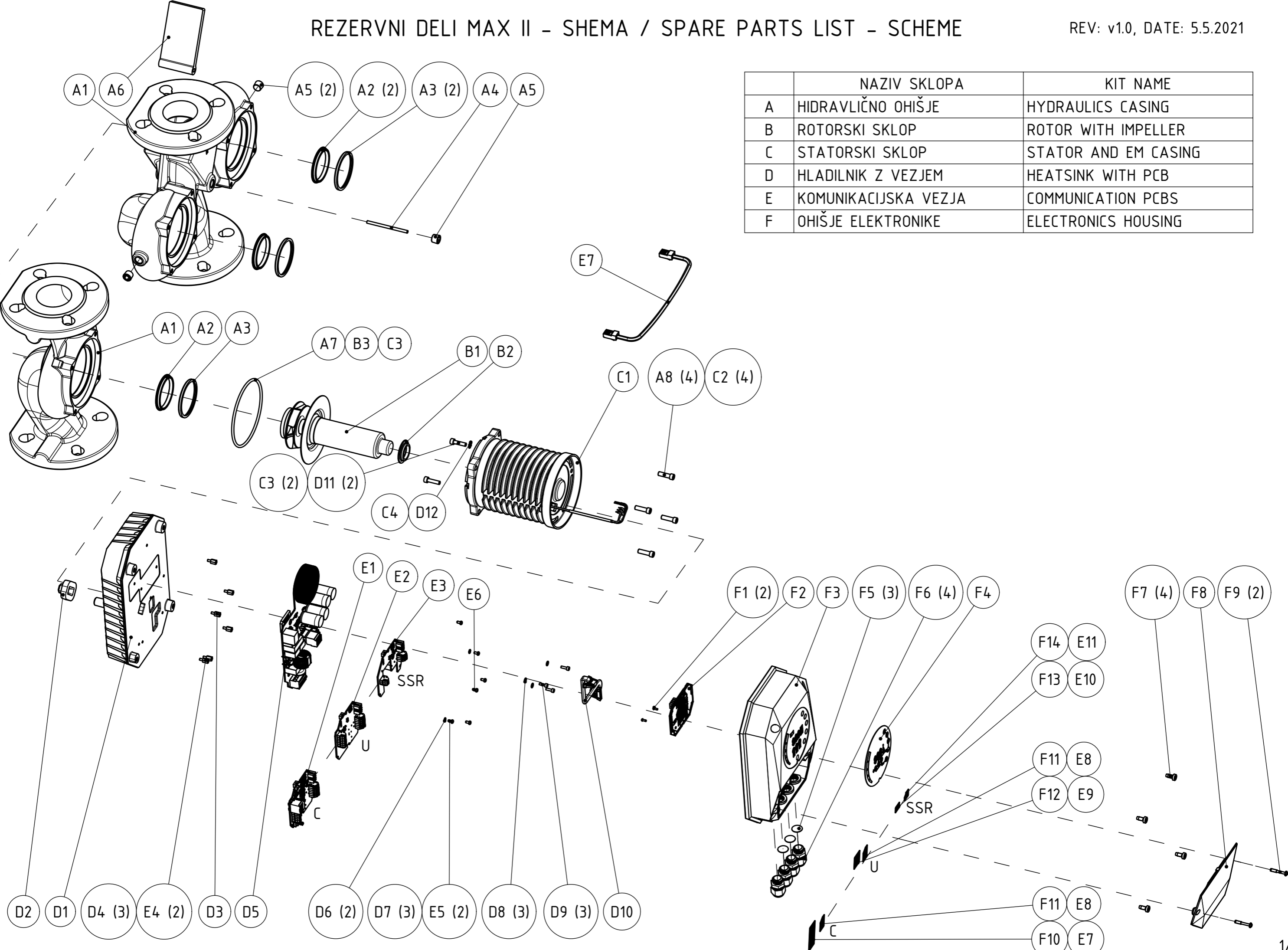


REZERVNI DELI MAX II - SHEMA / SPARE PARTS LIST - SCHEMA

REV: v1.0, DATE: 5.5.2021



	NAZIV SKLOPA	KIT NAME
A	HIDRAVLIČNO OHIŠJE	HYDRAULICS CASING
B	ROTORSKI SKLOP	ROTOR WITH IMPELLER
C	STATORSKI SKLOP	STATOR AND EM CASING
D	HLADILNIK Z VEZJEM	HEATSINK WITH PCB
E	KOMUNIKACIJSKA VEZJA	COMMUNICATION PCBs
F	OHIŠJE ELEKTRONIKE	ELECTRONICS HOUSING

REZERVNI DELI MAX II - TABELA / SPARE PARTS LIST - TABLE

REV: v1.0, DATE: 5.5.2021

	HIDRAVLIČNO OHIŠJE	ROTORSKI SKLOP	STATORSKI SKLOP	HLADILNIK Z VEZJEM	KOMUNIKACIJSKA VEZJA			OHIŠJE ELEKTRONIKE				
	HIDRAULICS CASING	ROTOR WITH IMPELLR	STATOR AND EM CASING	HEATSINK WITH PCB	COMMUNICATION PCBS			ELECTRONICS HOUSING				
	A	B	C	D	E			F				
					MAX II S	MAX II U	MAX II C	MAX II	MAX II S	MAX II U	MAX II C	
NMT MAX II 32/120 F220	979527207	979528126	979528131	979528134	979528148	979528149	979528150	979528154	979528151	979528152	979528153	
NMTD MAX II 32/120 F220	979527254											
NMT MAX II 40/80 F220	979527262											
NMT MAX II 40/80 F250	979527286											
NMTD MAX II 40/80 F220	979527297											
NMTD MAX II 40/80 F250	979527301											
NMT SAN MAX II 40/80 F250	979527290											
NMT MAX II 40/100 F220	979527262											
NMT MAX II 40/100 F250	979527286											
NMTD MAX II 40/100 F220	979527297											
NMTD MAX II 40/100 F250	979527301											
NMT SAN MAX II 40/100 F250	979527290											
NMT MAX II 40/120 F220	979527262											
NMT MAX II 40/120 F250	979527286											
NMTD MAX II 40/120 F220	979527297											
NMTD MAX II 40/120 F250	979527301											
NMT SAN MAX II 40/120 F250	979527290											
NMT MAX II 40/180 F220	979527262	979528127	979528132	979528138								
NMT MAX II 40/180 F250	979527286											
NMTD MAX II 40/180 F220	979527297											
NMTD MAX II 40/180 F250	979527301											
NMT SAN MAX II 40/180 F250	979527290											
NMT MAX II 50/80 F280	979524807	979524811	979528131	979528139								
NMTD MAX II 50/80 F280	979524809											
NMT SAN MAX II 50/80 F280	979524859											
NMT MAX II 50/120 F280	979524807	979524812	979528133	979528140								
NMTD MAX II 50/120 F280	979524809											
NMT SAN MAX II 50/120 F280	979524859											
NMT MAX II 50/180 F280	979524807	979525314	979528132	979528141								
NMTD MAX II 50/180 F280	979524809											
NMT SAN MAX II 50/180 F280	979524859											
NMT MAX II 65/40 F340	979525003	979525320	979528131	979528142								
NMTD MAX II 65/40 F340	979525004											
NMT SAN MAX II 65/40 F340	979527943											
NMT MAX II 65/80 F340	979525003	979525326	979528133	979528143								
NMTD MAX II 65/80 F340	979525004											
NMT SAN MAX II 65/80 F340	979527943											
NMT MAX II 65/120 F340	979525003	979525327	979528132	979528144								
NMTD MAX II 65/120 F340	979525004											
NMT SAN MAX II 65/120 F340	979527943											
NMT MAX II 80/40 F360 PN6	979525005	979525328	979528131	979528145								
NMT MAX II 80/40 F360 PN10	979525006											
NMTD MAX II 80/40 F360 PN6	979525007											
NMTD MAX II 80/40 F360 PN10	979525008											
NMT SAN MAX II 80/40 F360 PN6	979528124											
NMT SAN MAX II 80/40 F360 PN10	979528125											
NMT MAX II 80/80 F360 PN6	979525005			979528128	979528132	979528146						
NMT MAX II 80/80 F360 PN10	979525006											
NMTD MAX II 80/80 F360 PN6	979525007											
NMTD MAX II 80/80 F360 PN10	979525008											
NMT SAN MAX II 80/80 F360 PN6	979528124											
NMT SAN MAX II 80/80 F360 PN10	979528125											
NMT MAX II 100/40 F450 PN6	979525316	979528129	979528133			979528147						
NMT MAX II 100/40 F450 PN10	979525318											
NMTD MAX II 100/40 F450 PN6	979525317											
NMTD MAX II 100/40 F450 PN10	979525319											
NMTD MAX II C vsi tipi (all types)							979528155					